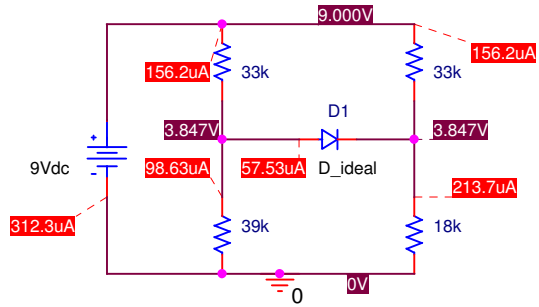
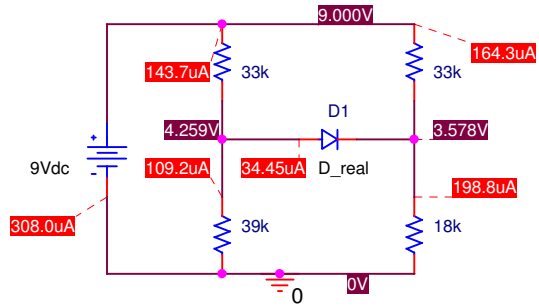


Part 1- Ideal diode



Title		
<Title>		
Size	Document Number	Rev
A	<Doc>	<Rev Code>
Date:	Friday, October 07, 2011	Sheet 1 of 1

Part 2- Real diode



Using Pspice,  $V(\text{diode})=4.259-3.578=0.681\text{V}$   
 and  $I(\text{diode})=34.45\mu\text{A}$   
 From problem 3 (part b-i),  $V(\text{diode})=0.686\text{V}$   
 and  $I(\text{diode})=34.3\mu\text{A}$ .  
 The two results are close.

Title		
<Title>		
Size	Document Number	Rev
A	<Doc>	<Rev Code>
Date:	Friday, October 07, 2011	Sheet 1 of 1