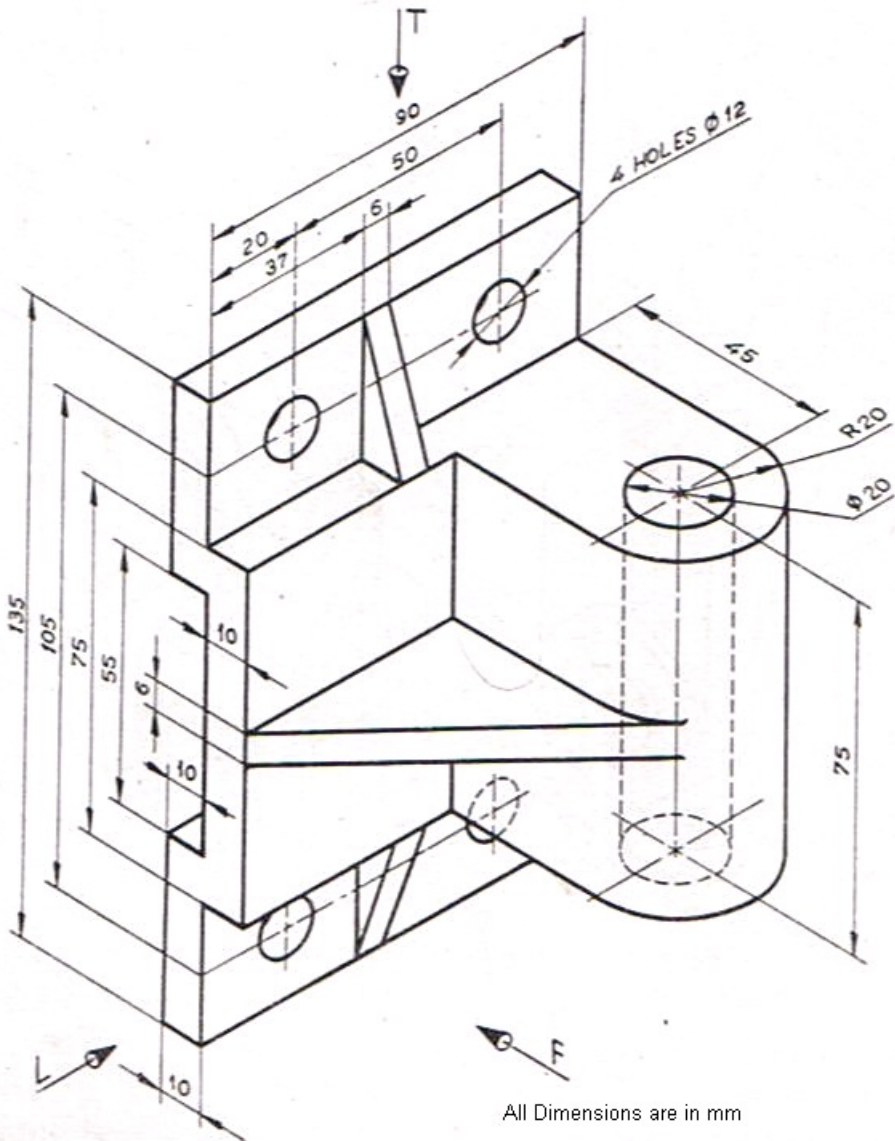




# LAB CW8 – 3D

## Objectives

Learn to draw engineering drawings using AutoCAD



All Dimensions are in mm