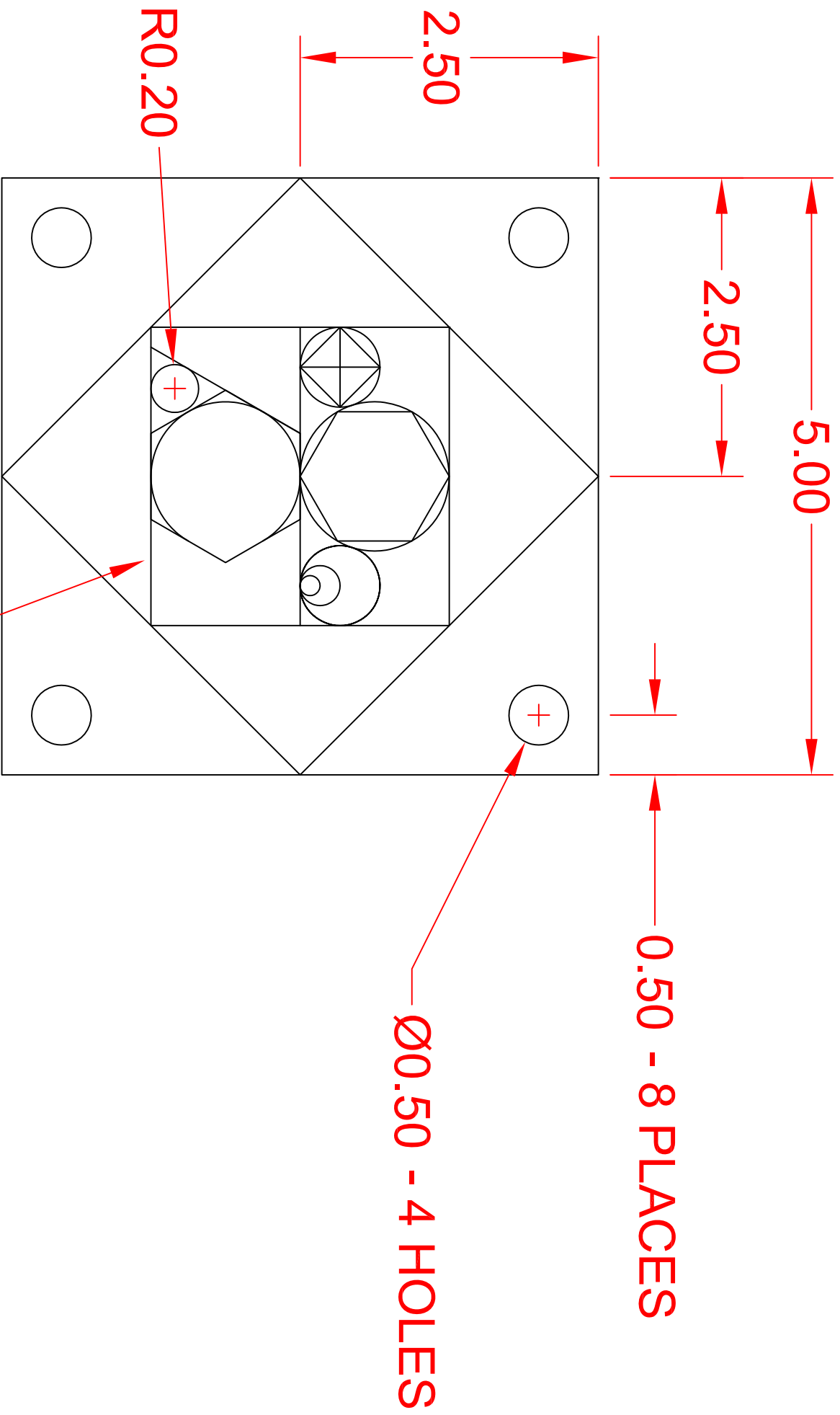




LAB CW2

Objectives

Learn to draw engineering drawings using AutoCAD



SQUARE PLATE

2.50 SQ
CENTERED ABOUT
CENTER POINT

$\varnothing 0.50$ - 4 HOLES

0.50 - 8 PLACES

