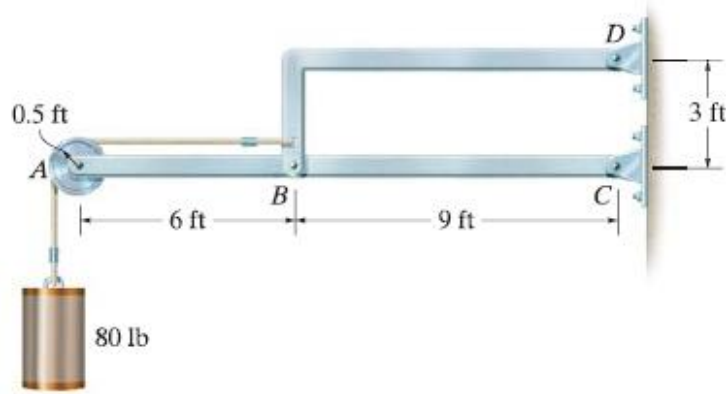
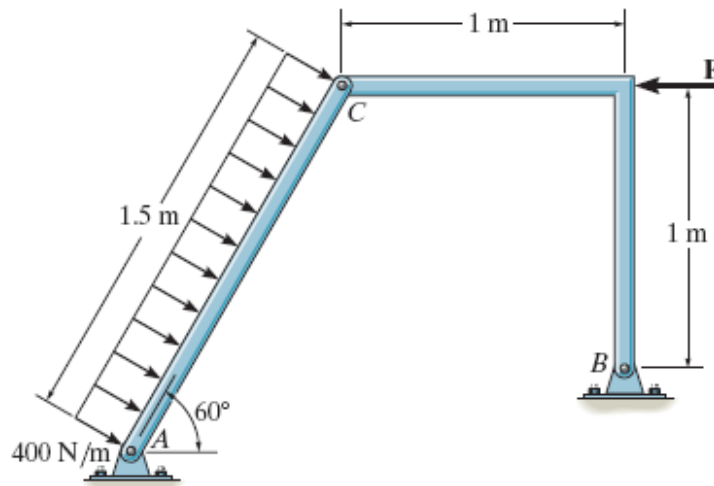


Problems # 5-(PART II)
Structural Analysis-“FRAMES”

6–119. Determine the horizontal and vertical components of reaction which the pins exert on member *ABC*.



6–133. Determine the horizontal and vertical components of reaction that pins A and B exert on the two-member frame. (a) Set $F = 500$ N. (b) set $F=0$ N



•6–105. Determine the horizontal and vertical components of reaction that the pins at A , B , and C exert on the frame. The cylinder has a mass of 80 kg.

