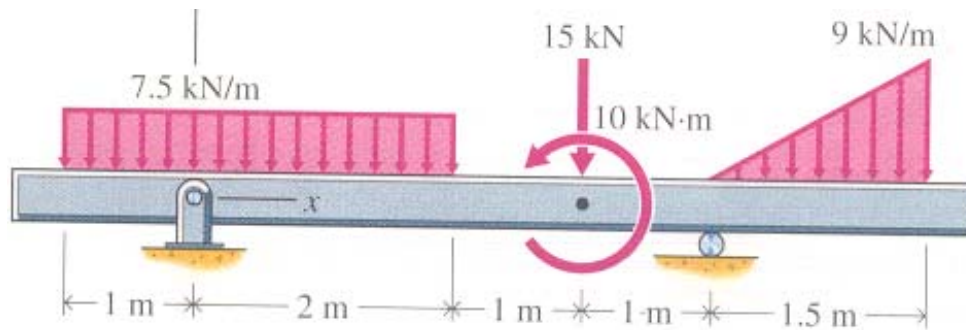


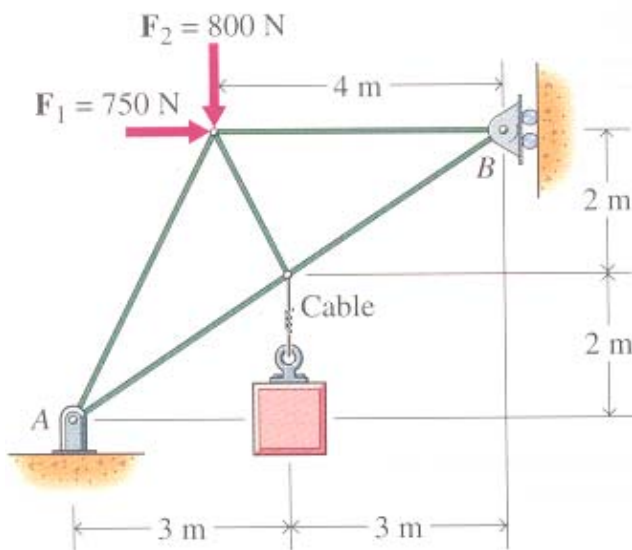
PROB-1-(25)

The beam is supported by a roller at B and pin at A. Determine the reactions at the supports.



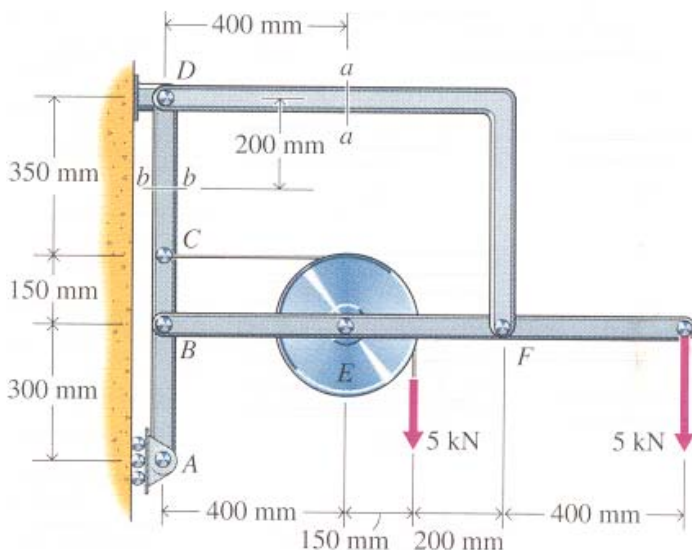
PROB-2-(30)

The truss shown below is supporting a crate that weights 1000 N at joint C. Two forces are applied at joint D. Determine the forces in all the members.



PROB-3-(30)

Draw the Free Body diagram of member BEF of the frame showing magnitude and direction of the forces.



PROB-4-(15)

Determine the reaction at the ball and socket support at A and the tensions in the two cables holding the rod as shown below.

