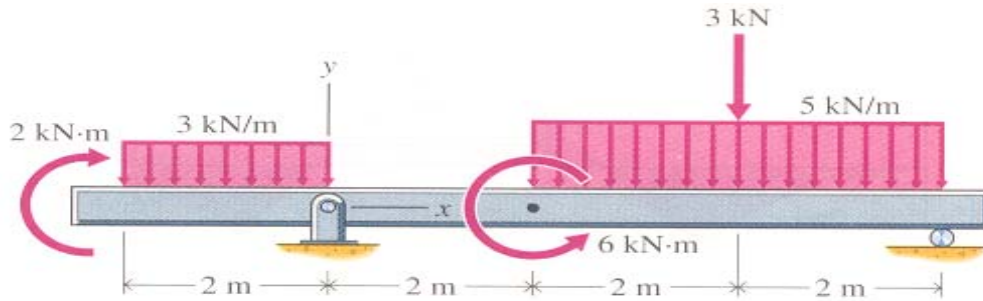


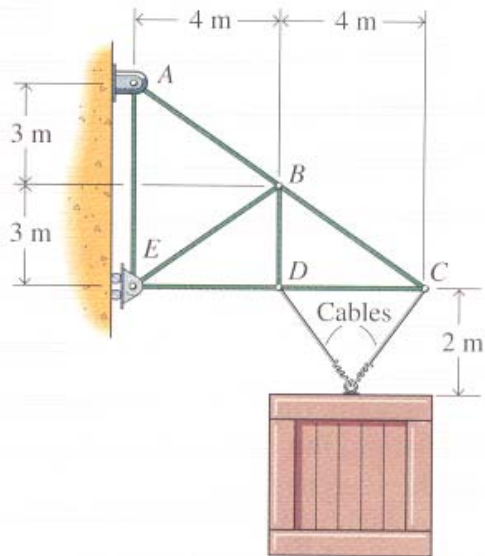
**PROB-1-(25)**

The beam is supported by a roller at *B* and pin at *A*. Determine the reactions at the supports.



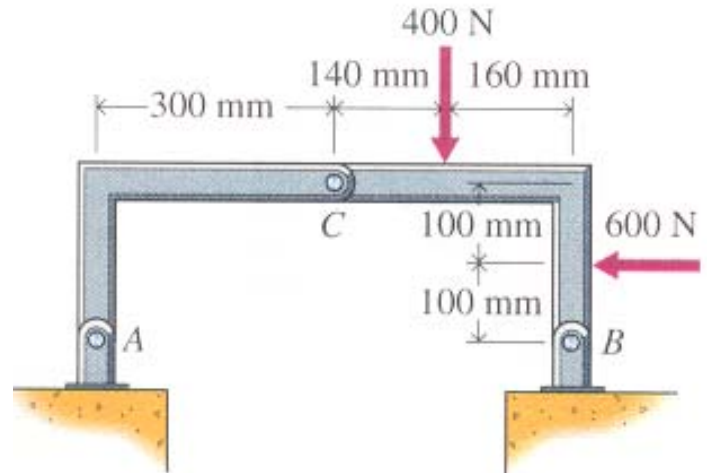
**PROB-2-(30)**

The truss shown below is supporting a crate that weights 1800 N at joints *D* and *C* with cables as shown below. Determine the forces in all the members.



**PROB-4-(15)**

Determine the reactions at pins *A* and *B* of the frame shown below.



**PROB-3-(30)**

Draw the Free Body diagram of member *ABE* showing the magnitude and direction of the forces.

