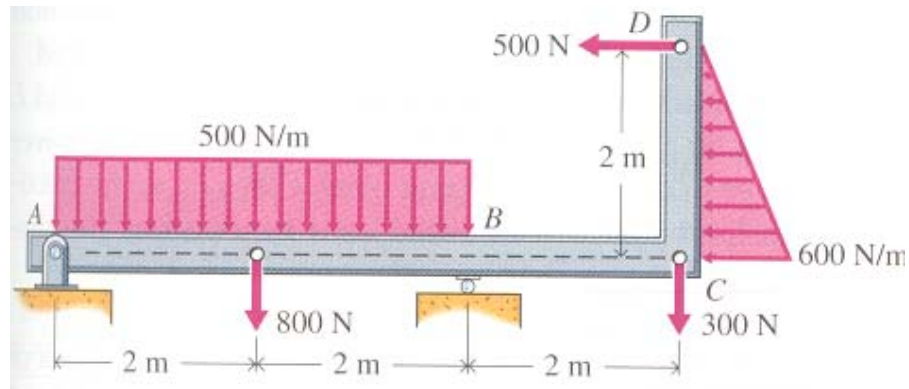


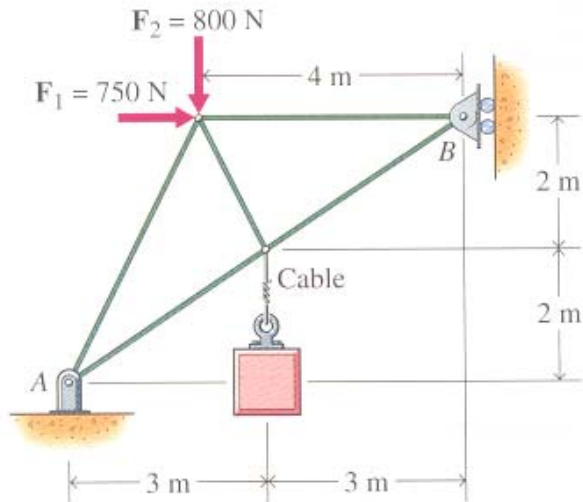
**PROB-1-(30)**

The beam is supported by a roller at  $B$  and pin at  $A$ . Determine the reactions at the supports.



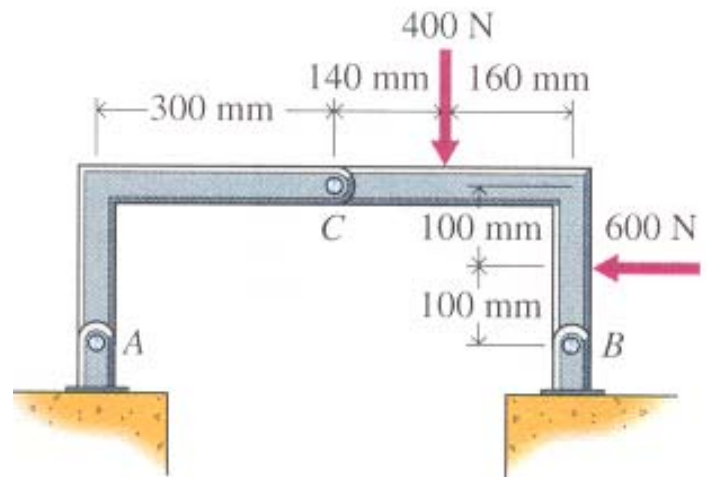
**PROB-2-(25)**

The truss shown below is subjected to two forces at joint  $D$  and a crate that weighs 1000 N at joint  $C$ . Determine the forces in all the members.



**PROB-4-(15)**

Determine the reactions at pins  $A$  and  $B$  of the frame shown below.



**PROB-3-(30)**

Draw the Free Body diagram of member  $BCD$  showing the magnitude and direction of the forces.

